

Rectangular Manways

Rectangular manways are used in a variety of different applications from breweries to hygienic industrial washing machines and autoclaves, through to solvent and chemical storage vessels.

Available with both inward and outward opening designs in most of the sizes, their shape compliments perfectly with flat surface mounting applications.

Consequently they are often the preferred choice for cubic vessels and flat sided tanks and cabinets.

Here these manways are usually installed either on the top of the vessels for easy access or are side mounted for easy inspection and cleaning.

There is now a comprehensive range of sizes offered from small inspection ports at 130mm x 310mm through to 750mm x 750mm hatch that facilitates entry to vessels with breathing apparatus.

Features and Options:

- Sizes from 130mm x 310mm through to the 750mm x 750mm
- Special neck rings available for glass fibre and concrete tanks
- FDA approved seals in EPDM, Silicone, Viton®/FKM or Nitrile
- Working pressures of up to 2.2 Bar
- Alternative hinge mechanisms allow vertical and horizontal installation
- Sight Glass and Pressure / Vacuum Relief Valves and Mushroom Inlets

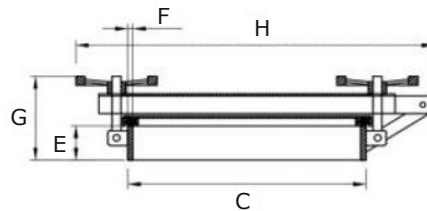


Dimensions are provided in good faith but may be subject to change, if dimensions are critical please call the office to confirm all sizes before placing an order.

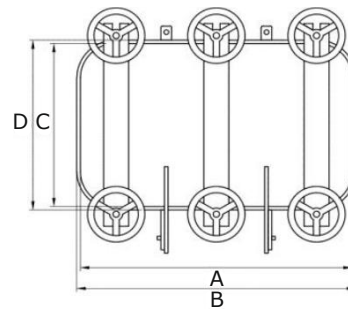
[DS Rectangular Manways V 1.2](#)

Page No: 1

M12A-A01 – Rectangular Manway – Outward Opening



Section Detail



Plan Detail

A (mm)	B (mm)	C (mm)	D (mm)	E (mm)	F (mm)	G (mm)	H (mm)	Working Pressure Range (bar)	Weight (kg)	Part No
754	770	454	470	70	8	190	717	1.00	36.0	M12A-A01-7541
754	770	454	470	70	10	190	717	1.00	43.0	M12A-A01-7542
600	639	600	639	70	8	196	~	1.00	~	M12A-A01-6001
600	639	600	639	70	10	196	~	1.00	~	M12A-A01-6002
750	771	750	771	70	8	196	~	1.00	~	M12A-A01-7501
750	771	750	771	70	10	196	~	1.00	~	M12A-A01-7502

Materials:

1. M12A-A: 316L Stainless Steel
2. M12A-C: 304L Stainless Steel

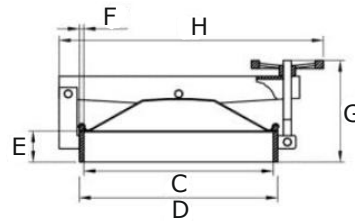
Other materials also available:

1. L – Natural Rubber
2. E – EPDM
3. N – Nitrile
4. V – FKM

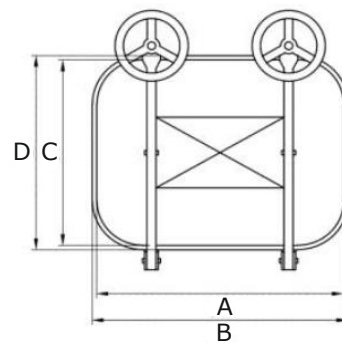
Lid thickness: 4 mm

Dimensions are provided in good faith but may be subject to change, if dimensions are critical please call the office to confirm all sizes before placing an order.

M12A-A02/03 – Rectangular Manway – Outward Opening



Section Detail



Plan Detail

A (mm)	B (mm)	C (mm)	D (mm)	E (mm)	F (mm)	G (mm)	H (mm)	Working Pressure Range (bar)	Weight (kg)	Part No
531	555	411	435	60	8	228	581	1.20	19.0	M12A-A02-5311
531	555	411	435	60	10	228	581	1.20	23.0	M12A-A02-5312
531	555	411	435	60	12	228	581	1.20	25.0	M12A-A02-5313
502	522	312	336	60	10	~	485	1.30	17.0	M12A-A03-5021
425	450	316	340	60	10	234	483	1.60	15.0	M12A-A04-4251

Materials:

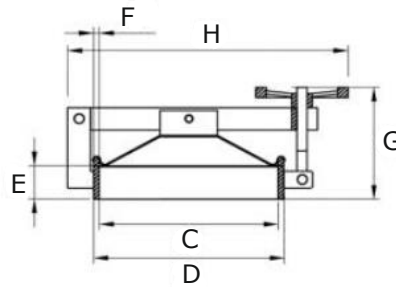
1. M12A-A: 316L Stainless Steel
2. M12A-C: 304L Stainless Steel

Other materials also available:

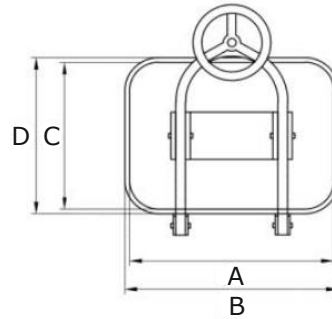
1. L – Natural Rubber
2. E – EPDM
3. N – Nitrile
4. V – FKM

Dimensions are provided in good faith but may be subject to change, if dimensions are critical please call the office to confirm all sizes before placing an order.

M12A-A05 – Rectangular Manway – Outward Opening



Section Detail



Plan Detail

A (mm)	B (mm)	C (mm)	D (mm)	E (mm)	F (mm)	G (mm)	H (mm)	Working Pressure Range (bar)	Weight (kg)	Part No
425	450	316	340	60	10	202	474	0.70	14.0	M12A-A05-4251

Materials:

1. M125-A: 316L Stainless Steel
2. M125-C: 304L Stainless Steel

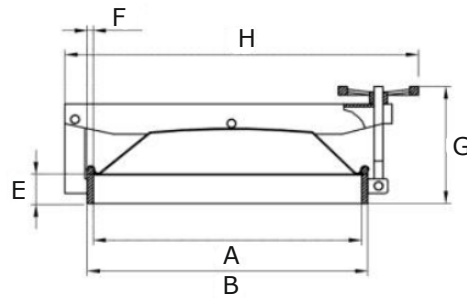
Other materials also available:

1. L – Natural Rubber
2. E – EPDM
3. N – Nitrile
4. V – FKM

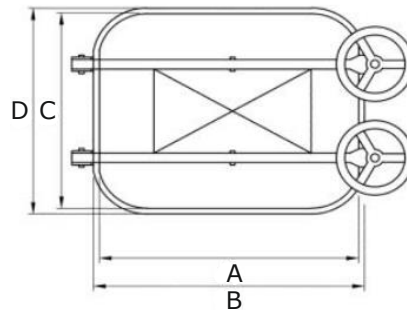
Lid thickness: 2 mm

Dimensions are provided in good faith but may be subject to change, if dimensions are critical please call the office to confirm all sizes before placing an order.

M12A-A06 – Rectangular Manway – Outward Opening



Section Detail



Plan Detail

A (mm)	B (mm)	C (mm)	D (mm)	E (mm)	F (mm)	G (mm)	H (mm)	Working Pressure Range (bar)	Weight (kg)	Part No
531	555	411	435	60	8	233	702	1.10	22.0	M12A-A06-4111
531	555	411	435	60	10	233	702	1.10	24.0	M12A-A06-4112
531	555	411	435	60	12	233	702	1.10	26.0	M12A-A06-4113

Materials:

1. M12A-A: 316L Stainless Steel
2. M12A-C: 304L Stainless Steel

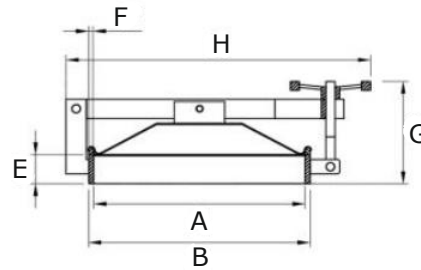
Other materials also available:

1. L – Natural Rubber
2. E – EPDM
3. N – Nitrile
4. V – FKM

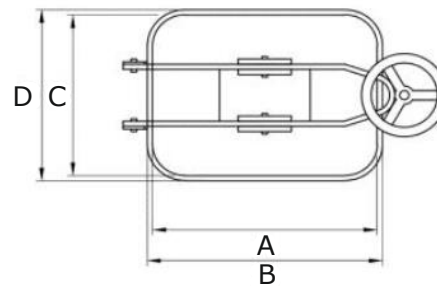
Lid thickness: 2.5 mm

Dimensions are provided in good faith but may be subject to change, if dimensions are critical please call the office to confirm all sizes before placing an order.

M12A-A07 – Rectangular Manway – Outward Opening



Section Detail



Plan Detail

A (mm)	B (mm)	C (mm)	D (mm)	E (mm)	F (mm)	G (mm)	H (mm)	Working Pressure Range (bar)	Weight (kg)	Part No
425	450	316	340	60	10	213	582	0.60	15.0	M12A-A07-3161

Materials:

1. M12A-A: 316L Stainless Steel
2. M12A-C: 304L Stainless Steel

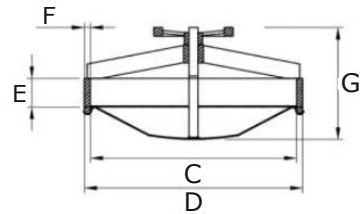
Other materials also available:

1. L – Natural Rubber
2. E – EPDM
3. N – Nitrile
4. V – FKM

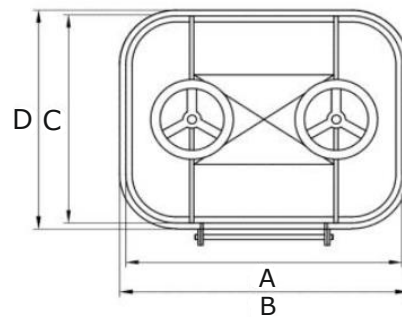
Lid thickness 2 mm

Dimensions are provided in good faith but may be subject to change, if dimensions are critical please call the office to confirm all sizes before placing an order.

M12B-A12 – Rectangular Manway – Inward Opening



Section Detail



Plan Detail

A (mm)	B (mm)	C (mm)	D (mm)	E (mm)	F (mm)	G (mm)	H (mm)	Working Pressure Range (bar)	Weight (kg)	Part No
531	555	411	435	60	8	221	~	2.20	17.0	M12B-A12-5311
531	555	411	435	60	10	221	~	2.20	18.0	M12B-A12-5312
531	555	411	435	60	12	221	~	2.20	20.0	M12B-A12-5313

Materials:

1. M126-A: 316L Stainless Steel
2. M126-C: 304L Stainless Steel

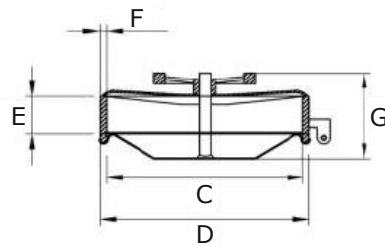
Other materials also available:

1. L – Natural Rubber
2. E – EPDM
3. N – Nitrile
4. V – FKM

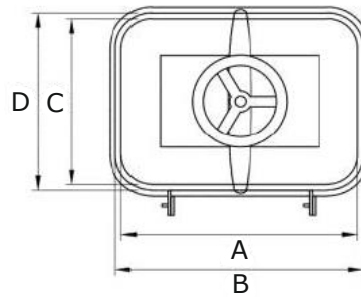
Lid thickness 2.5 mm

Dimensions are provided in good faith but may be subject to change, if dimensions are critical please call the office to confirm all sizes before placing an order.

M12B-A13/14 – Rectangular Manway – Inward Opening



Section Detail



Plan Detail

A (mm)	B (mm)	C (mm)	D (mm)	E (mm)	F (mm)	G (mm)	H (mm)	Working Pressure Range (bar)	Weight (kg)	Part No
502	522	312	332	60	10	162	~	2.0	13.0	M12B-A13-5021
425	450	316	340	60	10	141	~	2.0	11.0	M12B-A14-4251

Materials:

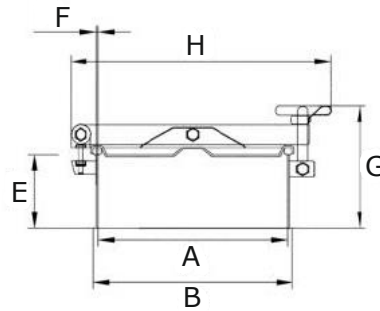
1. M125-A: 316L Stainless Steel
2. M125-C: 304L Stainless Steel

Other materials also available:

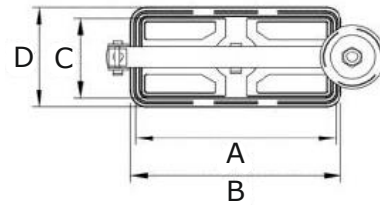
1. L – Natural Rubber
2. E – EPDM
3. N – Nitrile
4. V – FKM

Dimensions are provided in good faith but may be subject to change, if dimensions are critical please call the office to confirm all sizes before placing an order.

M12A-A27 – Rectangular Manway – Outward Opening



Section Detail



Plan Detail

A (mm)	B (mm)	C (mm)	D (mm)	E (mm)	F (mm)	G (mm)	H (mm)	Working Pressure Range (bar)	Weight (kg)	Part No
304	310	124	130	115	3	194	415	0.02	4.0	M12A-A27-1241

Materials:

1. M125-A: 316L Stainless Steel
2. M125-C: 304L Stainless Steel

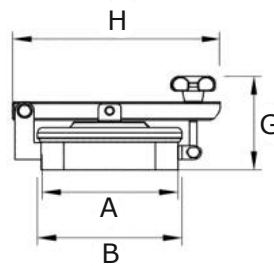
Other materials also available:

1. L – Natural Rubber
2. E – EPDM
3. N – Nitrile
4. V – FKM

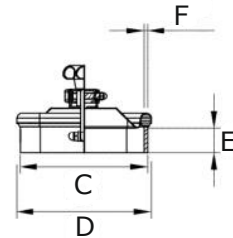
Lid thickness 2.5 mm

Dimensions are provided in good faith but may be subject to change, if dimensions are critical please call the office to confirm all sizes before placing an order.

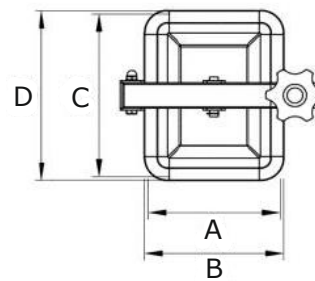
M12A-A38 – Rectangular Manway – Outward Opening



Elevation Detail



Section Detail



Plan Detail

A (mm)	B (mm)	C (mm)	D (mm)	E (mm)	F (mm)	G (mm)	H (mm)	Working Pressure Range (bar)	Weight (kg)	Part No
175	187	225	237	50	6	130	-	1.00	4.0	M12A-A38-2251
245	257	310	322	50	6	145	-	1.00	6.0	M12A-A38-3101

Materials:

1. M125-A: 316L Stainless Steel
2. M125-C: 304L Stainless Steel

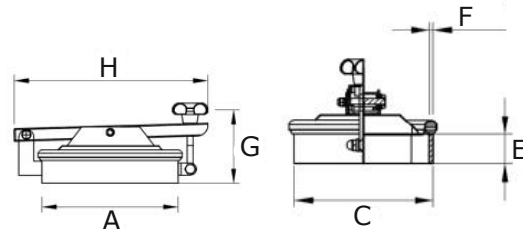
Other materials also available:

1. L – Natural Rubber
2. E – EPDM
3. N – Nitrile
4. V – FKM

Lid thickness 1 mm

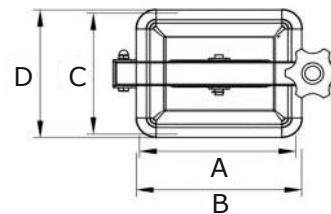
Dimensions are provided in good faith but may be subject to change, if dimensions are critical please call the office to confirm all sizes before placing an order.

M12A-A38L – Rectangular Manway – Outward Opening



Elevation Detail

Section Detail



Plan Detail

A (mm)	B (mm)	C (mm)	D (mm)	E (mm)	F (mm)	G (mm)	H (mm)	Working Pressure Range (bar)	Weight (kg)	Part No
225	237	175	187	50	6	130	-	1.00	4.0	M12A-A38L-1751
310	322	245	257	50	6	145	-	1.00	6.0	M12A-A38L-2451

Materials:

1. M125-A: 316L Stainless Steel
2. M125-C: 304L Stainless Steel

Other materials also available:

1. L – Natural Rubber
2. E – EPDM
3. N – Nitrile
4. V – FKM

Lid thickness 1 mm

Dimensions are provided in good faith but may be subject to change, if dimensions are critical please call the office to confirm all sizes before placing an order.